

NEW! 700 / 100 BOLLARD LIGHTS
WITH MOTION DETECTORS

ALVA IS **ESY**, BECAUSE IT INTELLIGENTLY NETWORKS OUTDOOR LIGHTING



Easy to parameterise
via the remote control or
ESY-Pen and ESY-App.

ROBUST LED BOLLARD LIGHTS IN A WIDE RANGE OF VERSIONS

The ALVA series provides robust, intelligent
outdoor lighting that is networked for energy
efficiency

PERFORMANCE FOR SIMPLICITY

ESYLUX GmbH & Co. KG | sales@esylux.com | www.esylux.com



ENERGY ONLY WHEN IT'S NEEDED

INTELLIGENTLY NETWORKED OUTDOOR LIGHTING REDUCES COSTS AND CO₂ EMISSIONS

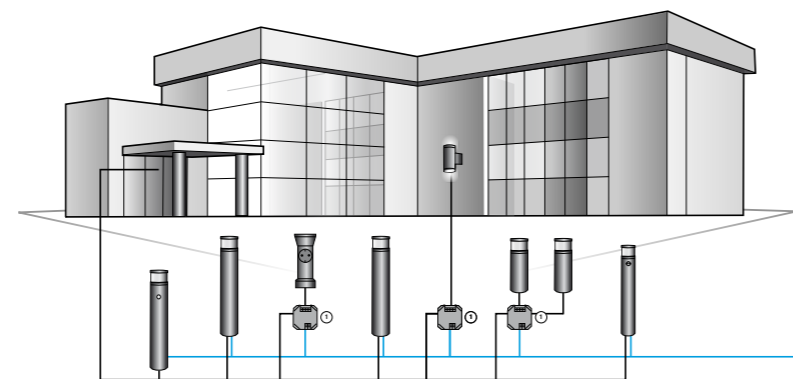
Creating intelligent light groups by networking lights and sensor systems improves safety and is particularly efficient at reducing energy use.

SOLUTION A: CONTROLLING THE ALVA SERIES USING AN INTEGRATED SENSOR SYSTEM



ALVA bollard lights with integrated DALI motion detectors can be intelligently networked in broadcast mode, enabling them to be used for various functions, for example providing pleasant orientation lighting.

The DALI actuator from ESYLUX (1) enables devices without a DALI interface to be integrated easily and controlled based on motion detection (for example ALVA up/downlights).



① The DALI actuator (item no. EP10427473 / EP10427480) switches on the "master" light if movement is detected in the field of detection. — DALI networking — 230 V

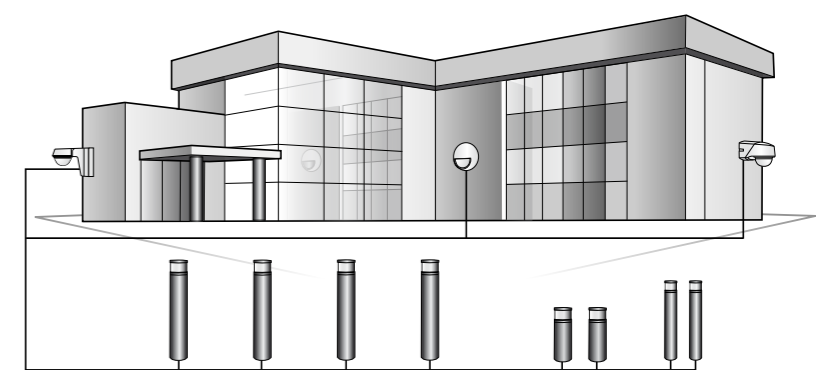
- Protected against sea air, robust and dirt-resistant
- Variants with integrated motion detectors feature orientation lights and twilight switch functions
- Motion detectors for the energy-efficient control of other lights and switch actuators

SOLUTION B: CONTROLLING THE ALVA SERIES USING A SEPARATE SENSOR SYSTEM (RC, DEFENSOR, MD-W)



The outdoor motion detectors in the RC, DEFENSOR and MD-W series deliver a classic alternative for demand-driven control of light groups in outdoor areas.

They offer different variants and practical additional functions — and always provide impressively high-quality sensor technology.



— 230 V

- Motion detection and daylight-dependent control of ALVA light groups using a separate sensor system
- A wide range of designs for various requirements
- RC and DEFENSOR with creep protection
- DEFENSOR with special functions for increased building safety (e.g. intelligent protection against vandalism and sabotage plus time-dependent operating modes)

INTELLIGENT. CUSTOMISED. DURABLE.

THE BOLLARD LIGHTS IN THE ALVA SERIES

The ALVA series impressively demonstrates how robust outdoor lighting can have a modern design. The die-cast aluminium housings deliver protection from sea air and ensure maximum durability, with optimal protection against the ingress of water and dust. Their powder-coated, dirt-repelling surfaces do not just give the design a luxurious aesthetic, they also stand out due to their anti-graffiti properties. The light itself is just as impressive. The LEDs glow in the purest shade of white, have a particularly long service life and ensure that the illuminated environment is rendered in its natural colours. The option of integrated motion detectors and digital networking also promises intelligent light management — for lighting concepts that are customised to your requirements.

ALVA BOLLARD LIGHTS

- Versions with motion detectors for motion-dependent and daylight-dependent lighting control and a DALI networking option; integration of 230-V end devices using DALI actuator
- DALI bus voltage supply integrated in lights with motion detectors
- Motion detectors can be parameterised easily using the remote control or with the ESY-Pen and ESY-App (accessories)
- Detection ranges of integrated sensor systems: 6 m (dia. 170 mm), 4 m (dia. 100 mm)
- Versions with different light emissions (180° or 360°), different lamp heights and different diameters
- Meets requirements for installation in public areas (IP65), IK09 (700/100 - 540, 940/170 MD), IK10 (540, 940/170)
- Basic lighting available for increased safety in outdoor areas (orientation lighting)
- Concealed LED arrangement, no glare from direct light

- **High-quality aluminium housing, protected against sea air and dirt-resistant**
- **Resistant to corrosion in accordance with EN ISO 9227 salt spray test (96 h)**
- **High level of resistance to cleaning products (anti-graffiti effect)**
- **NEW! Slimline bollard lights, 700 mm in height, 100 mm in diameter, with integrated motion detectors**

BOLLARD LIGHTS 3000 K / 4000 K

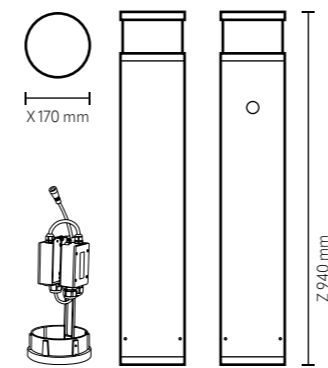
Diameter: 170 mm
Height: 940 mm
ON / OFF / DALI



Diameter: 170 mm
Height: 940 mm
MD IR DALI



CONNECTION BOX



GROUND SPIKE ACCESSORY

• ALVA GROUND SPIKE 170

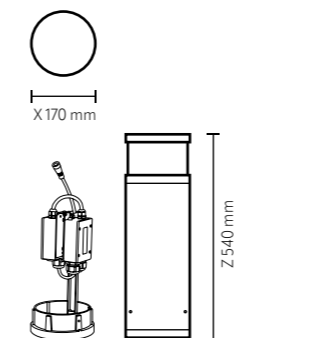


BOLLARD LIGHTS 3000 K / 4000 K

Diameter: 170 mm
Height: 540 mm
ON / OFF



CONNECTION BOX



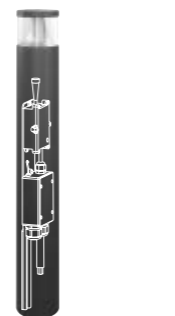
GROUND SPIKE ACCESSORY

• ALVA GROUND SPIKE 170



BOLLARD LIGHTS 3000 K / 4000 K

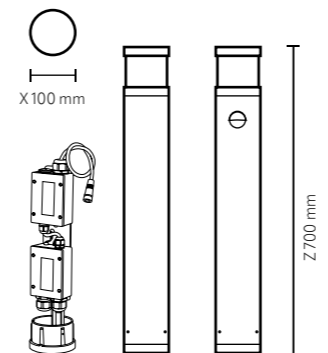
Diameter: 100 mm
Height: 700 mm
ON / OFF / DALI



Diameter: 100 mm
Height: 700 mm
ON / OFF / MD IR DALI

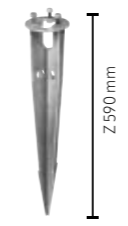


CONNECTION BOX



GROUND SPIKE ACCESSORY

• ALVA GROUND SPIKE 100



WATER AND DIRT RUNS STRAIGHT OFF

The die-cast aluminium housings deliver protection from sea air and ensure maximum durability. Their powder-coated surfaces do not just give the design a luxurious aesthetic: they also stand out due to their dirt-repelling lotus effect and anti-graffiti properties.



DURABILITY IS A MUST

Due to the die-cast aluminium or extruded profile and high protection-type values, the ALVA series is extremely robust and durable.



KEEPING AN EYE ON DEMAND

The integrated motion detectors ensure that the lights only come on when needed. Even existing lights can be incorporated into this system, as can other end devices. This functionality enhances safety and comfort — as well as saving energy.

NETWORK PATHS - INTELLIGENTLY

WITH BOLLARD LIGHTS FROM THE ALVA SERIES

General technical data

| | |
|---|---|
| Nominal voltage | 230 V / 50 Hz |
| Service life L_{50} at 25 °C | 70000 hours |
| Color Rendering Index R_a | > 80 |
| Color Quality Scale | > 80 |
| Colour tolerance | SDCM < 3 |
| Permissible ambient temperature | -25 °C...+40 °C |
| Protection type | IP65 |
| Protection class | I |
| Installation type | Stand |
| Installation position | Floor |
| Material | Powder-coated aluminium |
| Impact resistance | IK09 (700/100 - 540, 940/170 MD) IK10 (540, 940/170) |
| With integrated motion detector: | |
| Sensing angle | 140° |
| Field of detection width | 6 m (dia. 170 mm) 4 m (dia. 100 mm) |
| Switch-off delay time | 1 - 240 min |
| Level of brightness | 10 - 100 lx |

Technical and design features may be subject to change.
The power output may deviate from the specified value by +/- 10 %.

ESY +



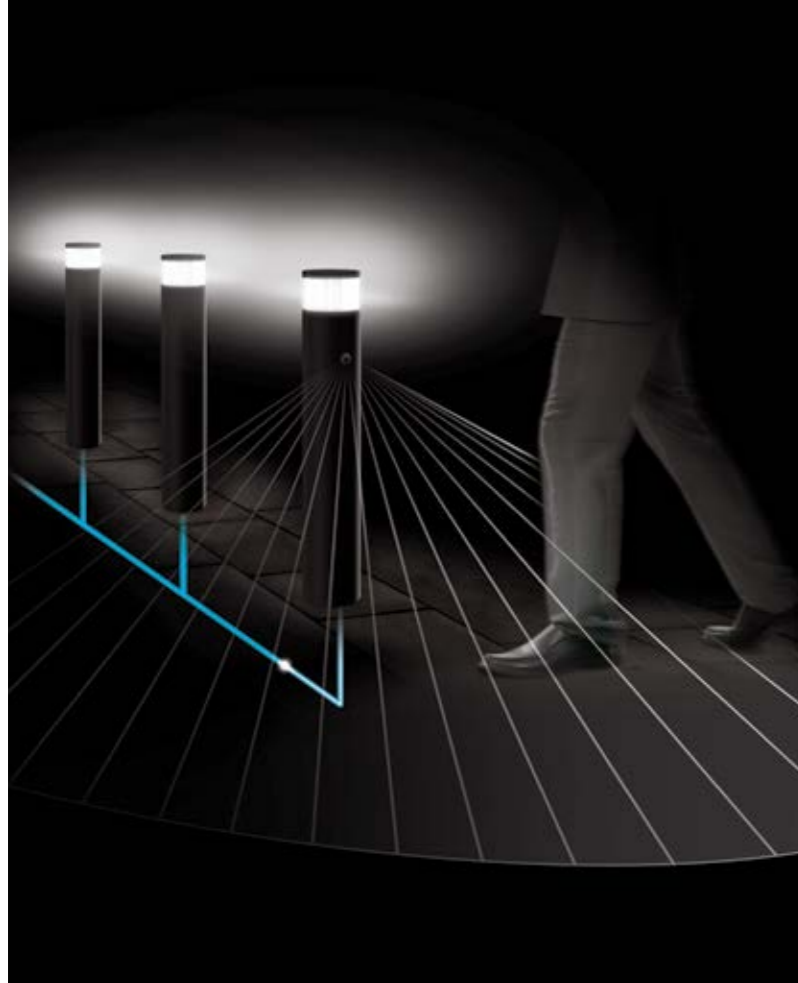
All ALVA lights with an integrated sensor system can be parameterised easily using the remote control or with the ESY-Pen and ESY-App (optional).

CUSTOM LIGHTING MANAGEMENT FOR DEMAND-DRIVEN SCENE CONTROL

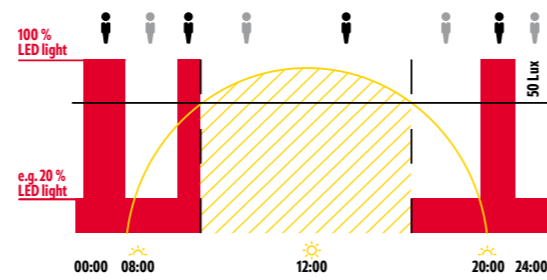
To be able to exploit the full potential of a lighting system, a sophisticated lighting management concept is required. After all, an intelligent control system is the only way to create lighting moods that are tailored to personal requirements. If the lights are networked, this is particularly simple to achieve.

ESYLUX has once again implemented the DALI digital standard in the ALVA series. DALI optimises the dimming behaviour of LEDs, can be easily integrated into higher-level building systems and allows suitable lighting profiles for every situation to be created conveniently. With the DALI-compatible versions of the ALVA bollard light, it's easy to make ideas and concepts a reality.

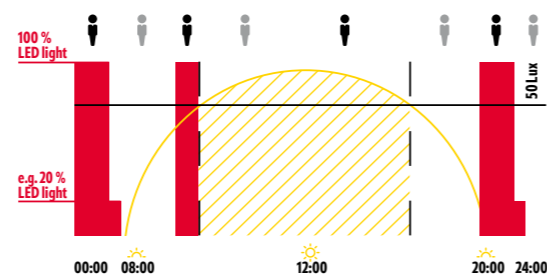
If the bollard lights are additionally equipped with motion detectors, they are able to automatically control not only themselves, but also entire lighting groups. For example, when a person approaches, the networked lights switch on simultaneously and switch off again once the person has left. It does not matter which direction they approach from. This means that the light only uses energy when it is really needed.



ORIENTATION LIGHT



AFTERGLOW



- LED light
- ▨ Adequate daylight
- Present
- Absent

◀ Safe and energy-efficient illumination of pathways using networked lights.



EXCELLENT PROTECTION AND EASY INSTALLATION

ALVA bollard lights with a DALI motion detector and integral bus power supply can control a complete lighting group dependent on motion and daylight and, if necessary, are available with orientation lights or a twilight switch function. To ensure it will work perfectly for years, however, the construction and housing materials must provide good protection from environmental influences.

Like the time-tested large variants of the lights, the new slimline versions of the ALVA 700/100 MD DALI now have more than just a solid aluminium housing — the junction box and driver box are positioned at a safe height above the base plate of the bollard lights. This positioning ensures that the electrical components remain dry and undamaged, even in the event of water penetrating the bottom of the housing due to heavy rainfall.

Want to incorporate other lights in the network? No problem: Devices that are not DALI-compatible can easily be integrated using the DALI actuator from ESYLUX — for example, the ALVA up/downlights and perhaps even the fountain in your entrance area.

The devices can still be switched on and off manually using the relevant button if required. And if the devices are left on by accident, our technology will take care of it automatically.

The motion detector optionally fitted in the bollard lights also offers additional useful control functions: If necessary, it can provide an orientation light that continues to emit a soft, pleasant glow when there is no longer anyone in the immediate vicinity. Or you could use its twilight switch function, which causes the lighting to switch on independently as soon as it gets dark outside. When the sun rises in the morning, the artificial light switches off automatically.



ALVA SERIES PRODUCT OVERVIEW

| Product group / product name | Item no. | Colour temperature | Luminous flux (light) | Rated output | Luminous efficacy | 230 V (ON / OFF) | DALI | Sensor | Energy efficiency class | Dimensions (mm) | New product |
|--|------------|--------------------|-----------------------|--------------|-------------------|------------------|------|--------|-------------------------|-----------------|-------------|
| 3000 K / 180° / 540 mm / dia. 170 mm | | | | | | | | | | | |
| ALVA BL 540/170 TR 180° 600 830 AN (anthracite grey, similar to RAL 7024) | EL10820687 | 3000 K | 760 lm | 16 W | 47 lm/W | • | | | LED EEI E | X 170, Z 540 | |
| ALVA BL 540/170 OP 180° 500 830 AN (anthracite grey, similar to RAL 7024) | EL10820700 | 3000 K | 620 lm | 16 W | 38 lm/W | • | | | LED EEI E | X 170, Z 540 | |
| 3000 K / 180° / 940 mm / dia. 170 mm | | | | | | | | | | | |
| ALVA BL 940/170 TR 180° 600 830 AN (anthracite grey, similar to RAL 7024) | EL10820601 | 3000 K | 760 lm | 16 W | 47 lm/W | • | | | LED EEI E | X 170, Z 940 | |
| ALVA BL 940/170 TR 180° 600 830 DALI AN (anthracite grey, similar to RAL 7024) | EL10820762 | 3000 K | 760 lm | 17 W | 44 lm/W | • | | | LED EEI E | X 170, Z 940 | |
| ALVA BL 940/170 TR 180° 600 830 MD IR DALI AN (anthracite grey, similar to RAL 7024) | EL10820922 | 3000 K | 760 lm | 17 W | 44 lm/W | • | • | | LED EEI E | X 170, Z 940 | |
| ALVA BL 940/170 OP 180° 500 830 AN (anthracite grey, similar to RAL 7024) | EL10820649 | 3000 K | 620 lm | 16 W | 38 lm/W | • | | | LED EEI E | X 170, Z 940 | |
| ALVA BL 940/170 OP 180° 500 830 DALI AN (anthracite grey, similar to RAL 7024) | EL10820809 | 3000 K | 620 lm | 17 W | 36 lm/W | • | | | LED EEI E | X 170, Z 940 | |
| ALVA BL 940/170 OP 180° 500 830 MD IR DALI AN (anthracite grey, similar to RAL 7024) | EL10820960 | 3000 K | 620 lm | 17 W | 36 lm/W | • | • | | LED EEI E | X 170, Z 940 | |
| 3000 K / 360° / 540 mm / dia. 170 mm | | | | | | | | | | | |
| ALVA BL 540/170 TR 360° 1000 830 AN (anthracite grey, similar to RAL 7024) | EL10820106 | 3000 K | 1270 lm | 16 W | 79 lm/W | • | | | LED EEI E | X 170, Z 540 | |
| 3000 K / 360° / 700 mm / dia. 100 mm | | | | | | | | | | | |
| ALVA BL 700/100 TR 360° 500 830 AN (anthracite grey, similar to RAL 7024) | EL10821134 | 3000 K | 530 lm | 7 W | 75 lm/W | • | | | LED EEI F | X 100, Z 700 | |
| ALVA BL 700/100 TR 360° 500 830 DALI AN (anthracite grey, similar to RAL 7024) | EL10821257 | 3000 K | 500 lm | 7 W | 71 lm/W | • | | | LED EEI F | X 100, Z 700 | ★ |
| ALVA BL 700/100 TR 360° 500 830 MD IR DALI AN (anthracite grey, similar to RAL 7024) | EL10821172 | 3000 K | 500 lm | 7 W | 71 lm/W | • | • | | LED EEI F | X 100, Z 700 | ★ |
| ALVA BL 700/100 OP 360° 400 830 AN (anthracite grey, similar to RAL 7024) | EL10821059 | 3000 K | 400 lm | 7 W | 57 lm/W | • | | | LED EEI F | X 100, Z 700 | |
| ALVA BL 700/100 OP 360° 400 830 DALI AN (anthracite grey, similar to RAL 7024) | EL10821271 | 3000 K | 420 lm | 7 W | 60 lm/W | • | | | LED EEI F | X 100, Z 700 | ★ |
| ALVA BL 700/100 OP 360° 400 830 MD IR DALI AN (anthracite grey, similar to RAL 7024) | EL10821189 | 3000 K | 420 lm | 7 W | 60 lm/W | • | • | | LED EEI F | X 100, Z 700 | ★ |
| 3000 K / 360° / 940 mm / dia. 170 mm | | | | | | | | | | | |
| ALVA BL 940/170 TR 360° 1000 830 AN (anthracite grey, similar to RAL 7024) | EL10820007 | 3000 K | 1270 lm | 16 W | 79 lm/W | • | | | LED EEI E | X 170, Z 940 | |
| ALVA BL 940/170 TR 360° 1000 830 DALI AN (anthracite grey, similar to RAL 7024) | EL10820205 | 3000 K | 1270 lm | 17 W | 74 lm/W | • | | | LED EEI E | X 170, Z 940 | |
| ALVA BL 940/170 TR 360° 1000 830 MD IR DALI AN (anthracite grey, similar to RAL 7024) | EL10820403 | 3000 K | 1270 lm | 17 W | 74 lm/W | • | • | | LED EEI E | X 170, Z 940 | |
| ALVA BL 940/170 OP 360° 800 830 AN (anthracite grey, similar to RAL 7024) | EL10820045 | 3000 K | 1030 lm | 16 W | 64 lm/W | • | | | LED EEI E | X 170, Z 940 | |
| ALVA BL 940/170 OP 360° 800 830 DALI AN (anthracite grey, similar to RAL 7024) | EL10820243 | 3000 K | 1030 lm | 17 W | 60 lm/W | • | | | LED EEI E | X 170, Z 940 | |
| ALVA BL 940/170 OP 360° 800 830 MD IR DALI AN (anthracite grey, similar to RAL 7024) | EL10820441 | 3000 K | 1030 lm | 17 W | 60 lm/W | • | • | | LED EEI E | X 170, Z 940 | |

| Product group / product name | Item no. | Colour temperature | Luminous flux (light) | Rated output | Luminous efficacy | 230 V (ON / OFF) | DALI | Sensor | Energy efficiency class | Dimensions (mm) | New product |
|--|------------|--------------------|-----------------------|--------------|-------------------|------------------|------|--------|-------------------------|------------------------|-------------|
| 4000 K / 180° / 940 mm / dia. 170 mm | | | | | | | | | | | |
| ALVA BL 940/170 TR 180° 700 840 AN (anthracite grey, similar to RAL 7024) | EL10820625 | 4000 K | 810 lm | 16 W | 50 lm/W | • | | | LED EEI E | X 170, Z 940 | |
| ALVA BL 940/170 TR 180° 700 840 DALI AN (anthracite grey, similar to RAL 7024) | EL10820786 | 4000 K | 810 lm | 17 W | 47 lm/W | • | | | LED EEI E | X 170, Z 940 | |
| ALVA BL 940/170 TR 180° 700 840 MD IR DALI AN (anthracite grey, similar to RAL 7024) | EL10820946 | 4000 K | 810 lm | 17 W | 47 lm/W | • | • | | LED EEI E | X 170, Z 940 | |
| ALVA BL 940/170 OP 180° 600 840 AN (anthracite grey, similar to RAL 7024) | EL10820663 | 4000 K | 630 lm | 16 W | 39 lm/W | • | | | LED EEI E | X 170, Z 940 | |
| 4000 K / 360° / 540 mm / dia. 170 mm | | | | | | | | | | | |
| ALVA BL 540/170 TR 360° 1200 840 AN (anthracite grey, similar to RAL 7024) | EL10820328 | 4000 K | 1350 lm | 16 W | 84 lm/W | • | | | LED EEI E | X 170, Z 540 | |
| 4000 K / 360° / 700 mm / dia. 100 mm | | | | | | | | | | | |
| ALVA BL 700/100 TR 360° 600 840 AN (anthracite grey, similar to RAL 7024) | EL10821158 | 4000 K | 560 lm | 7 W | 80 lm/W | • | | | LED EEI F | X 100, Z 700 | |
| ALVA BL 700/100 TR 360° 600 840 DALI AN (anthracite grey, similar to RAL 7024) | EL10821264 | 4000 K | 600 lm | 7 W | 85 lm/W | • | | | LED EEI F | X 100, Z 700 | ★ |
| ALVA BL 700/100 TR 360° 600 840 MD IR DALI AN (anthracite grey, similar to RAL 7024) | EL10821196 | 4000 K | 600 lm | 7 W | 85 lm/W | • | • | | LED EEI F | X 100, Z 700 | ★ |
| ALVA BL 700/100 OP 360° 500 840 AN (anthracite grey, similar to RAL 7024) | EL10821073 | 4000 K | 460 lm | 7 W | 65 lm/W | • | | | LED EEI F | X 100, Z 700 | |
| ALVA BL 700/100 OP 360° 500 840 DALI AN (anthracite grey, similar to RAL 7024) | EL10821288 | 4000 K | 460 lm | 7 W | 65 lm/W | • | | | LED EEI F | X 100, Z 700 | ★ |
| ALVA BL 700/100 OP 360° 500 840 MD IR DALI AN (anthracite grey, similar to RAL 7024) | EL10821240 | 4000 K | 460 lm | 7 W | 65 lm/W | • | • | | LED EEI F | X 100, Z 700 | ★ |
| 4000 K / 360° / 940 mm / dia. 170 mm | | | | | | | | | | | |
| ALVA BL 940/170 TR 360° 1200 840 AN (anthracite grey, similar to RAL 7024) | EL10820021 | 4000 K | 1350 lm | 16 W | 84 lm/W | • | | | LED EEI E | X 170, Z 940 | |
| ALVA BL 940/170 TR 360° 1200 840 DALI AN (anthracite grey, similar to RAL 7024) | EL10820229 | 4000 K | 1350 lm | 17 W | 79 lm/W | • | | | LED EEI E | X 170, Z 940 | |
| ALVA BL 940/170 TR 360° 1200 840 MD IR DALI AN (anthracite grey, similar to RAL 7024) | EL10820427 | 4000 K | 1350 lm | 17 W | 79 lm/W | • | • | | LED EEI E | X 170, Z 940 | |
| ALVA BL 940/170 OP 360° 1000 840 AN (anthracite grey, similar to RAL 7024) | EL10820069 | 4000 K | 1050 lm | 16 W | 65 lm/W | • | | | LED EEI E | X 170, Z 940 | |
| ALVA BL 940/170 OP 360° 1000 840 DALI AN (anthracite grey, similar to RAL 7024) | EL10820267 | 4000 K | 1050 lm | 17 W | 61 lm/W | • | | | LED EEI E | X 170, Z 940 | |
| ALVA BL 940/170 OP 360° 1000 840 MD IR DALI AN (anthracite grey, similar to RAL 7024) | EL10820465 | 4000 K | 1050 lm | 17 W | 61 lm/W | • | • | | LED EEI E | X 170, Z 940 | |
| Accessories | | | | | | | | | | | |
| ALVA GROUND SPIKE 170 (galvanised, for dia. 170 mm) | EL10820199 | | | | | | | | | X 145, Z 590 | ★ |
| ALVA GROUND SPIKE 100 (galvanised, for dia. 100 mm) | EL10820182 | | | | | | | | | X 90, Z 590 | ★ |
| ESY-Pen (black) | EPI0425356 | | | | | | | | | X 166, Y 24, Z 21,5 | |
| REMOTE CONTROL PDI DALI (silver) | EPI0425899 | | | | | | | | | X 100, Y 50, Z 9 | |
| ACTUATOR FULL AUTO C3 DALI (white, similar to RAL 9010) | EPI0427473 | | | | | • | • | | | X 45, Y 45, Z 24 | |
| ACTUATOR SEMI AUTO C4 DALI (white, similar to RAL 9010) | EPI0427480 | | | | | • | • | | | X 45, Y 45, Z 24 | |

www.esylux.com

Photo credits:

iStock: 155350714, 1141196273, 1054195294, 471441483, 1311334958, 1157525883

The Bluetooth® word mark and logos are registered trademarks owned by Bluetooth SIG, Inc.

For delivery times and further information on our products, please refer to our website.

© Copyright 2026

07.04.2026