

DATA SHEET

OL WL 100 OP 900 830 WH

Item number EL10710704
GTIN 4015120710704



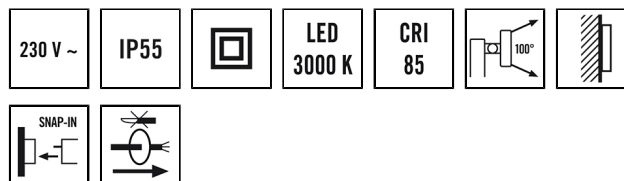
Technical data

GENERAL	
Device category	Wall light
Remote controllable	–
Conformity	CE, EAC, RoHS, WEEE
Warranty	3-year

ATTACHMENT	
Installation type	Surface mounting
Installation position	Wall
Type of connection	Screwed terminal
Connectable wire cross section	1.50 – 2.50 mm ²
Number of contacts	3

HOUSING	
Dimensions	Length 205 mm x Width 104 mm x Height/Depth 143 mm
Weight	536 g
Material	Aluminium and UV-stabilised plastic
Protection type	IP55
Permissible ambient temperature	-25 °C...+50 °C
Colour	white, similar to RAL 9016
Glow wire test in accordance with IEC 60695-2-10	650 °C

ELECTRICAL VERSION	
Control system	ON/OFF



Product description

- LED light
- Design lamp made of die-cast aluminium and plastic
- Rated output P: 9.5 W, light colour approx. 3000 K warm white

Protection class	II
Nominal voltage	230 V ~ / 50 Hz
In-rush current	4.7 A / 33 µs
Leakage current	0.01 mA

LIGHT	
Diffuser	opal
Light emission	direct
Beam angle	90 °
Flicker factor	<10 %
Rated output P	9.5 W
Luminous flux	850 lm
Luminous efficacy	89 lm/W
Colour temperature	3000 K
Colour rendering index Ra	> 80
Colour tolerance	4 SDCM
L70B10 lifetime at 25 °C	80000 h
Lebensdauer L70B50 bei 25 °C	100000 h
Lebensdauer L80B10 bei 25 °C	50000 h
Life time L80B50 at 25 °C	65000 h
Lebensdauer L90B10 bei 25 °C	25000 h
Life time L90B50 at 25 °C	30000 h

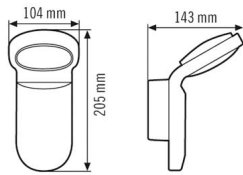
SENSORS	
---------	--

DATA SHEET

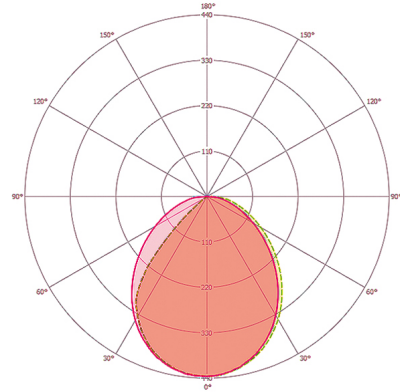
OL WL 100 OP 900 830 WH

Item number **GTIN**
EL10710704 4015120710704

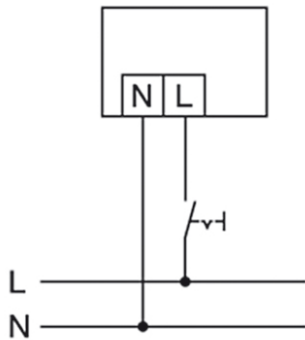
Dimension drawing



Light distribution

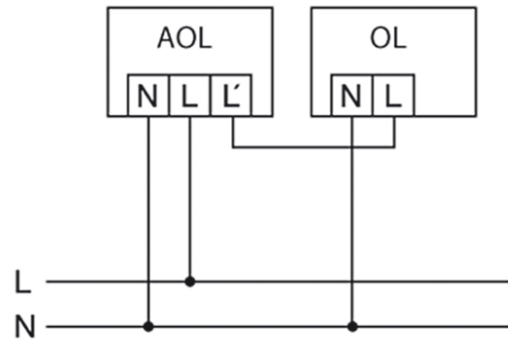


Circuit diagram



Standard operation

Circuit diagram



Controlled by an automatic light, e.g. the AOL 100 or AOL 200