

DATA SHEET

ESYLUX

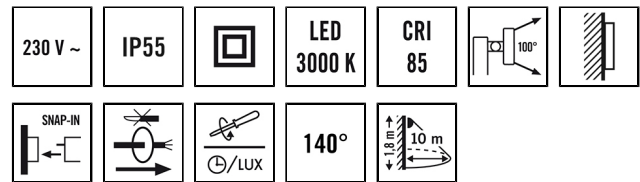
AOL WL 100 OP 900 830 MD WH

Item number EL10750700
GTIN 4015120750700



Technical data

GENERAL	
Device category	Wall light
Remote controllable	–
Conformity	CE, EAC, RoHS, WEEE
Warranty	3-year
ATTACHMENT	
Installation type	Surface mounting
Installation position	Wall
Type of connection	Screwed terminal
Connectable wire cross section	1.50 – 2.50 mm ²
Number of contacts	4
HOUSING	
Dimensions	Length 205 mm x Width 104 mm x Height/Depth 143 mm
Weight	508 g
Material	Aluminium and UV-stabilised plastic
Protection type	IP55
Permissible ambient temperature	-25 °C...+50 °C
Colour	white, similar to RAL 9016
Glow wire test in accordance with IEC 60695-2-10	650 °C
ELECTRICAL VERSION	
Control system	ON/OFF
Protection class	II
Nominal voltage	230 V ~ / 50 Hz
In-rush current	100 A / 200 µs



Product description

- Automatic light with built-in motion detector
- Design lamp made of die-cast aluminium and plastic
- Rated output P: 10 W, light colour approx. 3000 K warm white
- 140° field of detection, range up to 10 m at an installation height of 1.8 m

Offers special product features like:

- Integrated motion detector

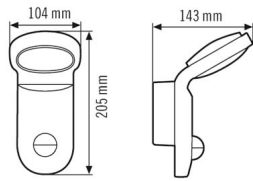
Leakage current	0.01 mA
Stand-by consumption	0.5 W
LIGHT	
Diffuser	opal
Light emission	direct
Beam angle	90 °
Flicker factor	<10 %
Rated output P	10 W
Luminous flux	850 lm
Luminous efficacy	85 lm/W
Colour temperature	3000 K
Colour rendering index Ra	> 80
Colour tolerance	4 SDCM
L70B10 lifetime at 25 °C	80000 h
Lebensdauer L70B50 bei 25 °C	100000 h
Lebensdauer L80B10 bei 25 °C	50000 h
Life time L80B50 at 25 °C	65000 h
Lebensdauer L90B10 bei 25 °C	25000 h
Life time L90B50 at 25 °C	30000 h
SENSORS	
Detection angle	140°
Detection range diagonally	10 m
Field of detection	122 m ²
Recommended installation height	1.8 m
Level of brightness	5 - 1000 lx
Switch-off delay time	5 s...10 min (adjustable in steps)
Push button input	✓

DATA SHEET

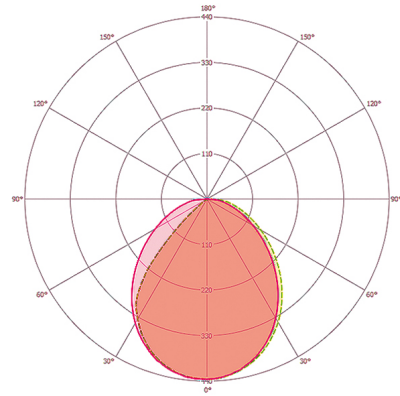
AOL WL 100 OP 900 830 MD WH

Item number GTIN
 EL10750700 4015120750700

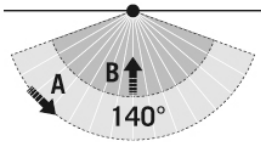
Dimension drawing



Light distribution



Field of detections

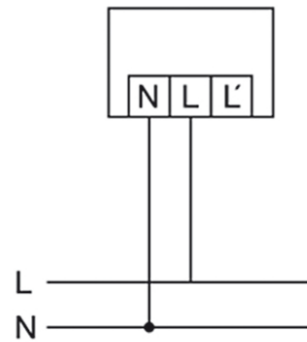


Detection range

■ Diagonally (A)

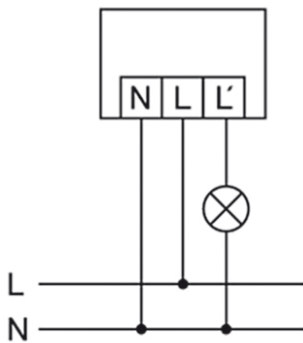
10 m

Circuit diagram



Standard operation

Circuit diagram



Standard operation with additional connection of external loads