

SLP-2

Item number

EN10050015

GTIN

4015120050015



Product description

- Portable spotlight with emergency light feature
- 4-hour work light, 8-hour continuous light or 8-hour flashing light can be selected using the button
- Standby mode for automatically switching on the light in the charging cradle in the event of a power failure
- Charging cradle with power supply for connecting to 230 V and with plug for 12-V DC vehicle sockets



Technical data

GENERAL

Device category	Portable floodlight
Included in delivery	Inklusive charging cradle, 230-V plug-in power supply, 12-V car charging cable, orange filter
Remote controllable	-
Conformity	CE, EAC, RoHS, WEEE
Warranty	5 years

ATTACHMENT

Installation type	Surface / vehicle
Installation position	Wall
Type of connection	Plug

HOUSING

Dimensions	Length 122 mm x Width 94 mm x Height/Depth 270 mm
Weight	1050 g
Material	ABS
Protection type	IP54
Permissible ambient temperature	0 °C...+40 °C
Impact resistance	IK06
Colour	red/black

ELECTRICAL VERSION

Control system	ON/OFF
Protection class	III
Nominal voltage	100 - 240 V AC / 50 - 60 Hz 12 V DC
Output voltage	12 - 12 V DC
Output current	500 mA

LIGHT

Diffuser	transparent
Light emission	direct
Flicker factor	0,14
Luminous flux	235 lm
Colour temperature	6200 K
Colour rendering index Ra	> 80
Color Quality Scale	> 80
Photobiological safety	RG1

EMERGENCY LIGHTING

Light duration	4 h, 8 h
Battery	Li-Ion 7,4 V / 2,2 Ah
Charging time	≥ 2 h

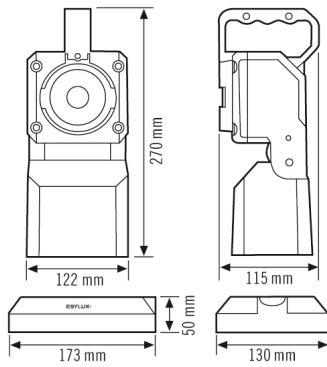
Accessories

Product designation	Item number	Product description	GTIN
Mounting			
SLP-2 WALL MOUNTING PLATE	EN10050206	Wall bracket for the charging cradle of the SLP-2 portable spotlight	4015120050206

SLP-2

Item number **GTIN**
EN10050015 4015120050015

Dimension drawing



Detailed product description

- Portable spotlight with emergency light feature
- 4-hour work light, 8-hour continuous light or 8-hour flashing light can be selected using the button
- Includes orange filter on the back
- Standby mode for automatically switching on the light in the charging cradle in the event of a power failure
- Charging cradle with power supply for connecting to 230 V and with plug for 12-V DC vehicle sockets
- Maintenance-free lithium-ion rechargeable battery with charge status and capacity indicator
- Lamp head can be swivelled 30° to the front and 90° to the rear
- Mounting bracket for mounting the charging cradle on a wall is available as an accessory