

## SVENJA CL 450 DDP OP 3300 830 IP20 DALI-2

**Item number** E010850608  
**GTIN** 4015120850608



DALI-2	220 - 240 V AC/DC	LED 3000 K	CRI 81	Phi 3300 lm	110 lm/W	IP20
--------	-------------------	------------	--------	-------------	----------	------



### Product description

- Round, flat LED surface-mounted light with powder coated aluminium housing
- Opal diffuser with micro-prismatic texture made of impact-resistant polycarbonate
- Colour temperature 3000 K or 4000 K
- For intelligent lighting solutions with presence and daylight dependent constant light control using DALI or DALI-2 presence detectors
- SwitchDIM function for dimming individual lights using 230V button (all versions except SVENJA CL 900 830/840)
- Optional accessories: Pendulum with adjustable cable pendulum kit (2 m) or tube pendulum kit (1 m)



### Technical data

#### GENERAL

Device category	Ceiling light
Included in delivery	1x drilling template, 3x screws, 3x plugs, 2x screw knobs
Conformity	CE, WEEE, RoHS, EAC
Test symbol	ENEC 25
Product-specific information	Meets DALI-2 standard
Warranty	5 years

#### ATTACHMENT

Installation type	Surface mounting
Installation position	Ceiling
Connectable wire cross section	1.5 - 2.5 mm <sup>2</sup>
Number of contacts	5

#### HOUSING

Dimensions	Height/Depth 82 mm, Ø 450 mm
Weight	4000 g
Material	Aluminium
Protection type	IP20
Permissible ambient temperature	0 °C...+45 °C
Impact resistance	IK08
Colour	white, similar to RAL 9003
Glow wire test in accordance with IEC 60695-2-10	850 °C

#### ELECTRICAL VERSION

Control system	DALI-2
Protection class	I

Nominal voltage	220 - 240 V AC/DC / 50 - 60 Hz
In-rush current	30 A / 120 µs
Power consumption	30 W
Power consumption	800 mA
Stand-by consumption	< 0.5 W

#### LIGHT

Diffuser	opal
Glare suppression	DDP (micro-prismatic)
Light emission	direct/indirect
Beam angle	85 °
Unified Glare Rating	<19
Flicker factor	0.27
Rated output P	30 W
Luminous flux	3300 lm
Luminous efficacy	110 lm/W
Colour temperature	3000 K
Colour rendering index Ra	> 80
Colour tolerance	3 SDCM
Color Quality Scale	>80
L70B10 lifetime at 25 °C	93000 h
Life time L70B50 at 25 °C	96000 h
Life time L80B10 at 25 °C	58000 h
Life time L80B50 at 25 °C *	59000 h
Life time L90B10 at 25 °C	26000 h
Life time L90B50 at 25 °C	27000 h
Photobiological safety	RG0

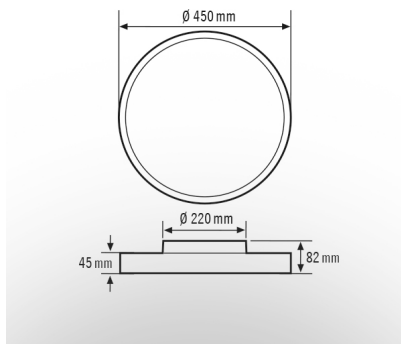
## SVENJA CL 450 DDP OP 3300 830 IP20 DALI-2

Item number	GTIN
EO10850608	4015120850608

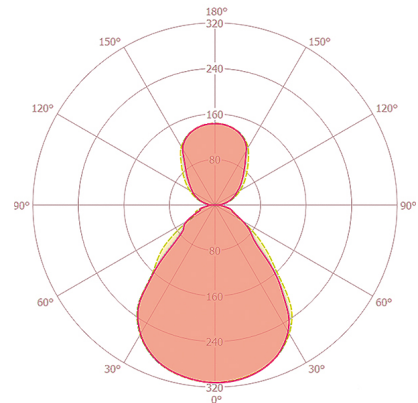
### Accessories

Product designation	Item number	Product description	GTIN
<b>Mounting</b>			
SVENJA POLE PENDULUM SET 1000	EO10850561	Pendulum set with centrally mounted tube, transparent 5-pole connection cable and round ceiling canopy	4015120850561
SVENJA WIRE PENDULUM SET 2000	EO10850578	Pendulum kit with 3 wire cables, transparent 5-pole connection cable and round ceiling canopy	4015120850578

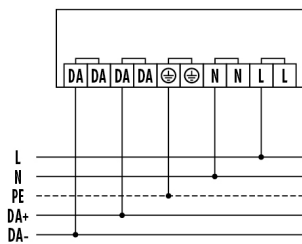
### Dimension drawing



### Light distribution

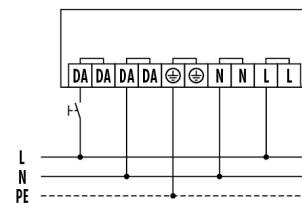


### Circuit diagram



Standard operation DALI/DALI-2.

### Circuit diagram



Standard operation with optional SwitchDIM (PushDIM) function.

### Detailed product description

- Round, flat LED surface-mounted light with powder coated aluminium housing
- Opal diffuser with micro-prismatic texture made of impact-resistant polycarbonate
- Colour temperature 3000 K or 4000 K
- For intelligent lighting solutions with presence and daylight dependent constant light control using DALI or DALI-2 presence detectors
- SwitchDIM function for dimming individual lights using 230V button (all versions except SVENJA CL 900 830/840)
- Optional accessories: Pendulum with adjustable cable pendulum kit (2 m) or tube pendulum kit (1 m)
- Perfect for applications with high light quality requirements and glare suppression to EN 12464-1
- Ideal for use in social areas such as foyers, assembly halls, break areas and canteens.
- Indirect light proportion of 35% makes lights appear to float on the ceiling and make rooms look larger
- Homogeneous, dazzle-free illumination and long LED lifetime through installation as large area backlight configuration of the LEDs and coordinated lenses
- Easy to install through two-piece design with snap lock plug and electrical connector