

MOUNTING FRAME 600 FM WH

Item number **GTIN**
EQ10113086 4015120113086

Product description

Ceiling flush mounting 600 for panel lights in the NOVA and CELINE ranges.

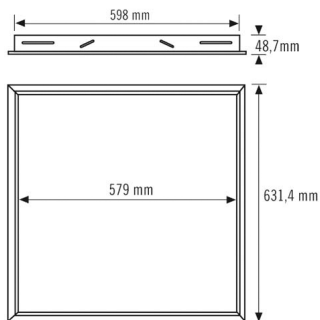


Technical data

GENERAL	
Device category	Mounting
Conformity	CE, EAC, RoHS, SundaHus, WEEE
ATTACHMENT	
Installation type	Recessed mounting
Installation position	Ceiling
Installation dimension	Installation length: 614 mm x Installation width: 614 mm x Installation depth: 48.2 mm

Connectable wire cross section	0.75 – 2.5 mm ²
HOUSING	
Dimensions	Length 635.4 mm x Width 635 mm x Height/Depth 48.2 mm
Weight	1200 g
Material	painted aluminium
Colour	white, similar to RAL 9003

Dimension drawing



Detailed product description

DATA SHEET



MOUNTING FRAME 600 FM WH

Item number	GTIN
EQ10113086	4015120113086

Ceiling flush mounting 600 for panel lights in the NOVA and CELINE ranges.