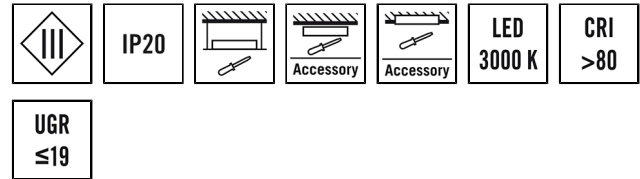


## CELINE-2 PNL 600 DDP OP 3600 830 IP20 ELC

**Item number** EQ10132308  
**GTIN** 4015120132308



### Technical data

| GENERAL                      |   |
|------------------------------|---|
| Product-specific information | Operation with ELC system components, alternatively with driver sets as accessories for DALI, DALI-2, ON/OFF  |
| Warranty                     | 5 years   |
| Device category              | Recessed light  |
| Product information          | ELC lighting systems combine components that are matched to each other coordinated components: ELC main lighting, control unit and sensor system.<br>Alternatively: ELC luminaires are also compatible for plug-and-play installation with suitable driver sets (accessories) for plug-and-play installation outside the ELC lighting systems (DALI, DALI-2, ON/OFF). |
| Remote controllable          | –   |
| Conformity                   | CE, EAC, RoHS, WEEE   |
| ATTACHMENT                   |   |
| Installation type            | Insert  |
| Installation position        | Ceiling   |
| Installation dimension       | Installation length: 600 mm x Installation width: 600 mm x Installation depth: 140 mm   |
| Type of connection           | Socket  |
| Connector                    | RJ45  |
| HOUSING                      |   |
| Dimensions                   | Length 596 mm x Width 596 mm x Height/Depth 65 mm   |
| Weight                       | 2794.3 g  |
| Material                     | Varnished steel   |
| Protection type              | IP20  |

### Product description

- LED light with opal diffuser
- Can be used as a panel light for ceiling systems with concealed or visible mounting rails for system dimensions 600 x 600 mm (please note any special features and restrictions stipulated by the ceiling system manufacturer)
- Light for ESYLUX Light Control for connecting via RJ45 plug to ESYLUX Smartdriver or DALI-2 driver set or ON/OFF driver set (not included in delivery)
- Colour temperature: approx. 3000 K (warm white)

|  |                            |
|--|----------------------------|
| Permissible ambient temperature                  | 0 °C...+40 °C              |
| Impact resistance                                | IK02                       |
| Colour   | white, similar to RAL 9016 |
| Glow wire test in accordance with IEC 60695-2-10 | 850 °C                     |

### ELECTRICAL VERSION

|                   |                            |
|-------------------|----------------------------|
| Control system    | ELC (ESYLUX Light Control) |
| Protection class  | III                        |
| Nominal voltage   | 42 V DC                    |
| Power consumption | 33 W                       |
| Power consumption | 700 mA                     |

### LIGHT

|                           |                       |
|---------------------------|-----------------------|
| Diffuser                  | opal                  |
| Glare suppression         | DDP (micro-prismatic) |
| Light emission            | direct                |
| Beam angle                | 94 °                  |
| Unified Glare Rating      | < 19                  |
| Rated output P            | 33 W                  |
| Luminous flux             | 3900 lm               |
| Luminous efficacy         | 118 lm/W              |
| Colour temperature        | 3000 K                |
| Colour rendering index Ra | > 80                  |
| Colour tolerance          | 2 SDCM                |
| Color Quality Scale       | > 80                  |
| L70B10 lifetime at 25 °C  | 105000 h              |
| Life time L70B50 at 25 °C | 110000 h              |
| Life time L80B10 at 25 °C | 65000 h               |

## CELINE-2 PNL 600 DDP OP 3600 830 IP20 ELC

|                    |               |
|--------------------|---------------|
| <b>Item number</b> | <b>GTIN</b>   |
| EQ10132308         | 4015120132308 |

|                           |         |                           |         |
|---------------------------|---------|---------------------------|---------|
| Life time L80B50 at 25 °C | 70000 h | Life time L90B50 at 25 °C | 35000 h |
| Life time L90B10 at 25 °C | 35000 h | Photobiological safety    | RG0     |

### System components

| Product designation                      | Item number | Product description  | GTIN          |
|--|-------------|--|---------------|
| <b>Cable</b>                             |             |  |               |
| CABLE RJ45 5m WH                         | EC10430695  | Connection cable RJ45, 5 m, white  | 4015120430695 |
| CABLE RJ45 10m WH                        | EC10430749  | Connection cable RJ45, 10 m, white   | 4015120430749 |
| CABLE RJ11 10m WH                        | EC10431524  | Connection cable RJ11, 10 m, white   | 4015120431524 |
| CABLE RJ10-OPEN END 10m WH               | EC10431517  | Connection cable RJ10 Open end, 10 m   | 4015120431517 |
| CABLE RJ10 10m WH                        | EC10431500  | Connection cable RJ10, 10 m  | 4015120431500 |
| CABLE-SET RJ45 5m x4                     | EC10431142  | Connection cable set for SMARTDRIVER x4 series   | 4015120431142 |
| CABLE-SET RJ45 10m x4                    | EC10431159  | Connection cable set for SMARTDRIVER x4 series   | 4015120431159 |
| CABLE-SET RJ45 5m x6                     | EC10431180  | Connection cable set for SMARTDRIVER x6 series   | 4015120431180 |
| CABLE-SET RJ45 10m x6                    | EC10431197  | Connection cable set for SMARTDRIVER x6 series   | 4015120431197 |
| CABLE-SET RJ45 5m x8                     | EC10431227  | Connection cable set for SMARTDRIVER x8 series   | 4015120431227 |
| CABLE-SET RJ45 10m x8                    | EC10431234  | Connection cable set for SMARTDRIVER x8 series   | 4015120431234 |
| <b>Ceiling-mounted presence detector</b> |             |  |               |
| PD-C 360i/24 ELC                         | EP10427619  | Presence detector with 360° field of detection for ceiling mounting                          | 4015120427619 |
| PD-C 360i/8 ELC                          | EP10427602  | Presence detector with 360° field of detection for ceiling mounting                          | 4015120427602 |
| PD 360i/8 BASIC ELC                      | EB10431357  | Presence detector for ESYLUX Light Control with 360° field of detection for ceiling mounting | 4015120431357 |
| <b>Control</b>                           |             |  |               |
| SMARTDRIVER-2 IR 4C+2 x4 ELC             | EC10431401  | Light control for up to 4 lights   | 4015120431401 |
| SMARTDRIVER-2 IR 4C+2 x8 ELC             | EC10431425  | Light control for up to 8 lights   | 4015120431425 |
| SMARTDRIVER x4 ELC                       | EC10430664  | Light control for up to 4 lights   | 4015120430664 |
| SMARTDRIVER x4 ELC KNX                   | EC10430671  | Light control for up to 4 lights   | 4015120430671 |
| SMARTDRIVER x8 ELC                       | EC10430763  | Light control for up to 8 lights   | 4015120430763 |
| SMARTDRIVER x8 ELC KNX                   | EC10430770  | Light control for up to 8 lights   | 4015120430770 |
| <b>Push button</b>                       |             |  |               |
| PUSH BUTTON x8 ELC                       | EC10430923  | DALI 8-way push button   | 4015120430923 |

### Accessories

| Product designation                  | Item number | Product description                                   | GTIN          |
|--------------------------------------|-------------|---|---------------|
| <b>Control gear</b>                  |             |   |               |
| DRIVER-SET 30W 700mA RJ45 DALI       | EQ10127854  | 30 W DALI plug-and-play LED driver set                | 4015120127854 |
| DRIVER-SET 30W RJ45 WAGO WINSTA DALI | EQ10127762  | Plug-and-play LED driver set 30 W DALI, WAGO WINSTA   | 4015120127762 |
| DRIVER SET 30W RJ45                  | EQ10127786  | ON/OFF LED driver set                                 | 4015120127786 |
| DRIVER SET 30W RJ45 WAGO WINSTA      | EQ10127779  | Plug-and-play LED driver set ON/OFF 30 W, WAGO WINSTA | 4015120127779 |

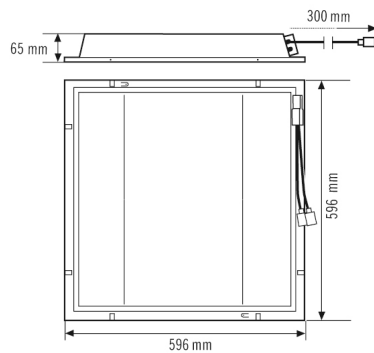
## CELINE-2 PNL 600 DDP OP 3600 830 IP20 ELC

| Item number | GTIN          |
|-------------|---------------|
| EQ10132308  | 4015120132308 |

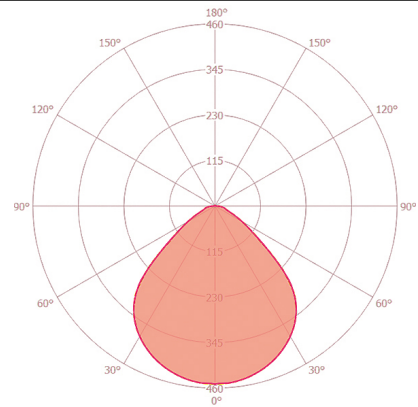
### Accessories

| Product designation          | Item number | Product description  | GTIN          |
|------------------------------|-------------|--|---------------|
| <b>Mounting</b>              |             |  |               |
| MOUNTING FRAME 600 FM WH     | EQ10113086  | Flush-mounted ceiling installation frame 600 for panel lights  | 4015120113086 |
| MOUNTING FRAME 600/625 SM WH | EQ10113468  | Surface-mounted ceiling installation frame 600/625 for panel lights  | 4015120113468 |
| <b>Remote control</b>        |             |  |               |
| ESY-Pen                      | EP10425356  | ESY-Pen and ESY-App, two tools for every task: (1) Parameterisation, (2) remote control, (3) light measurement, (4) project management | 4015120425356 |

### Dimension drawing



### Light distribution



### Detailed product description

- LED light with opal (MILKY) cover (diffusor)
- Can be used as a panel light in ceiling systems with concealed or visible mounting rails for system dimensions 600 mm x 600 mm
- Excellent light quality, suitable for screen-based work places in accordance with EN 12464-1
- Life time L80B50 at 25 °C: 70000 h
- Operation with ELC system components, alternatively with driver sets as accessories for DALI, DALI-2, ON/OFF (not included)
- LED output 30W
- Colour temperature: 3000 K