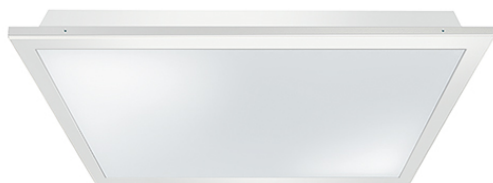


CELINE-2 PNL 600 DDP OP 3800 8TW IP20 ELC

Item number EQ10132322
GTIN 4015120132322

| | | | | | | |
|---------|----------------------|-----------|-----------|----------------|----------|------|
| 42 V DC | LED Tunable white | CRI 88 | P 33 W | Phi 4000 lm | 121 lm/W | IP20 |
|---------|----------------------|-----------|-----------|----------------|----------|------|



Technical data

| GENERAL | |
|------------------------------|--|
| Device category | Recessed light |
| Product information | ELC lighting systems combine components that are matched to each other coordinated components: ELC main lighting, control unit and sensor system. Alternatively: ELC luminaires are also compatible for plug-and-play installation with suitable driver sets (accessories) for plug-and-play installation outside the ELC lighting systems (DALI, DALI-2, ON/OFF). |
| Included in delivery | 1x Steel wire for drop protection |
| Remote controllable | - |
| Conformity | CE, EAC, RoHS, WEEE |
| Test symbol | ENEC 05 |
| Product-specific information | Operation with ELC system components, alternatively with driver sets as accessories for DALI, DALI-2, ON/OFF |
| Warranty | 5 years |

| ATTACHMENT | |
|------------------------|--|
| Installation type | Insert |
| Installation position | Ceiling |
| Installation dimension | Installation length: 600 mm x Installation width: 600 mm x Installation depth: 140 mm, |
| Type of connection | Socket |
| Connector | RJ45 |

| HOUSING | |
|-----------------|---|
| Dimensions | Length 596 mm x Width 596 mm x Height/Depth 65 mm |
| Weight | 2951 g |
| Material | Varnished steel |
| Protection type | IP20 |

Product description

- LED light with opal diffuser
- Can be used as a panel light for ceiling systems with concealed or visible mounting rails for system dimensions 600 x 600 mm (please note any special features and restrictions stipulated by the ceiling system manufacturer)
- Light for ESYLUX Light Control for connecting via RJ45 plug to ESYLUX Smartdriver or DALI-2 driver set or ON/OFF driver set (not included in delivery)
- Colour temperature: approx. 2700-6500 K (Tunable White)

| | |
|--|----------------------------|
| Permissible ambient temperature | 0 °C...+40 °C |
| Impact resistance | IK02 |
| Colour | white, similar to RAL 9016 |
| Glow wire test in accordance with IEC 60695-2-10 | 850 °C |

ELECTRICAL VERSION

| | |
|-------------------|----------------------------|
| Control system | ELC (ESYLUX Light Control) |
| Protection class | III |
| Nominal voltage | 42 V DC |
| Power consumption | 33 W |
| Power consumption | 700 mA |

LIGHT

| | |
|-----------------------------|-------------------------------|
| Diffuser | opal |
| Glare suppression | DDP (micro-prismatic) |
| Light emission | direct |
| Beam angle | 94 ° |
| Unified Glare Rating | < 19 |
| Rated output P | 33 W |
| Luminous flux | 4000 lm |
| Luminous efficacy | 121 lm/W |
| Colour temperature | 2700 - 6500 K (Tunable White) |
| Colour rendering index Ra | > 80 |
| Colour tolerance | 2 SDCM |
| Color Quality Scale | > 80 |
| L70B10 lifetime at 25 °C | 105000 h |
| Life time L70B50 at 25 °C | 110000 h |
| Life time L80B10 at 25 °C | 65000 h |
| Life time L80B50 at 25 °C * | 70000 h |

DATA SHEET



CELINE-2 PNL 600 DDP OP 3800 8TW IP20 ELC

Item number

GTIN

EQ10132322

4015120132322

Life time L90B10 at 25 °C

35000 h

Life time L90B50 at 25 °C

35000 h

Photobiological safety

RG0

CELINE-2 PNL 600 DDP OP 3800 8TW IP20 ELC

| | |
|--------------------|---------------|
| Item number | GTIN |
| EQ10132322 | 4015120132322 |

System components

| Product designation | Item number | Product description | GTIN |
|---------------------------|-------------|---|---------------|
| SMARTDRIVER x4 TW ELC | EC10430572 | Light control for up to 4 lights with Tunable White | 4015120430572 |
| SMARTDRIVER x4 TW ELC KNX | EC10430589 | Light control for up to 4 lights with Tunable White | 4015120430589 |
| SMARTDRIVER x6 TW ELC | EC10431005 | Light control for up to 6 lights with Tunable White | 4015120431005 |
| SMARTDRIVER x6 TW ELC KNX | EC10431029 | Light control for up to 6 lights with Tunable White | 4015120431029 |
| SMARTDRIVER x8 TW ELC | EC10431036 | Light control for up to 8 lights with Tunable White | 4015120431036 |
| SMARTDRIVER TW x8 ELC KNX | EC10431050 | Light control for up to 8 lights with Tunable White | 4015120431050 |

Cable

| | | | |
|----------------------------|------------|---|---------------|
| CABLE RJ45 5m RD | EQ10019890 | RJ45 connection cable, 5 m, red | 4015120019890 |
| CABLE RJ45 5m BL | EQ10019982 | Connection cable RJ45, 5 m, blue | 4015120019982 |
| CABLE RJ45 10m BL | EQ10019999 | Connection cable RJ45, 10 m, blue | 4015120019999 |
| CABLE RJ45 10m RD | EQ10020155 | Connection cable RJ45, 10 m, red | 4015120020155 |
| CABLE-SET RJ45 10m TW x8 | EC10431210 | Connection cable set for SMARTDRIVER x8 TW series | 4015120431210 |
| CABLE-SET RJ45 5m TW x4 | EC10431128 | Connection cable set for SMARTDRIVER x4 TW series | 4015120431128 |
| CABLE-SET RJ45 10m TW x4 | EC10431135 | Connection cable set for SMARTDRIVER x4 TW series | 4015120431135 |
| CABLE-SET RJ45 5m TW x6 | EC10431166 | Connection cable set for SMARTDRIVER x6 TW series | 4015120431166 |
| CABLE-SET RJ45 10m TW x6 | EC10431173 | Connection cable set for SMARTDRIVER x6 TW series | 4015120431173 |
| CABLE-SET RJ45 5m TW x8 | EC10431203 | Connection cable set for SMARTDRIVER x8 TW series | 4015120431203 |
| CABLE RJ11 10m WH | EC10431524 | Connection cable RJ11, 10 m, white | 4015120431524 |
| CABLE RJ10-OPEN END 10m WH | EC10431517 | Connection cable RJ10 Open end, 10 m | 4015120431517 |
| CABLE RJ10 10m WH | EC10431500 | Connection cable RJ10, 10 m | 4015120431500 |

Ceiling-mounted presence detector

| | | | |
|---------------------|------------|--|---------------|
| PD-C 360i/24 ELC | EP10427619 | Presence detector with 360° field of detection for ceiling mounting | 4015120427619 |
| PD-C 360i/8 ELC | EP10427602 | Presence detector with 360° field of detection for ceiling mounting | 4015120427602 |
| PD 360i/8 BASIC ELC | EB10431357 | Presence detector for ESYLUX Light Control with 360° field of detection for ceiling mounting | 4015120431357 |

Control

| | | | |
|-------------------------------------|------------|---|---------------|
| SMARTDRIVER-2 TW IR 2C+2 x4 ELC | EC10431418 | Light control for up to 4 lights with Tunable White | 4015120431418 |
| SMARTDRIVER-2 TW IR 2C+2 x6 ELC KNX | EC10431456 | Light control for up to 6 lights with Tunable White | 4015120431456 |
| SMARTDRIVER-2 TW IR 2C+2 x8 ELC KNX | EC10431463 | Light control for up to 8 lights with Tunable White | 4015120431463 |
| SMARTDRIVER-2 TW IR 2C+2 x4 ELC KNX | EC10431470 | Light control for up to 4 lights with Tunable White | 4015120431470 |
| SMARTDRIVER-2 TW IR 2C+2 x6 ELC | EC10431487 | Light control for up to 6 lights with Tunable White | 4015120431487 |
| SMARTDRIVER-2 TW IR 2C+2 x8 ELC | EC10431494 | Light control for up to 8 lights with Tunable White | 4015120431494 |

Push button

| | | | |
|---------------------------------|------------|------------------------------------|---------------|
| PUSH BUTTON x8 TW ELC | EC10430930 | DALI 8 x push button Tunable White | 4015120430930 |
| PUSH BUTTON x8 CLASSROOM ELC | EC10431241 | DALI 8-way push button | 4015120431241 |
| PUSH BUTTON x4 PATIENT ROOM ELC | EC10431258 | DALI 4-way push button | 4015120431258 |
| PUSH BUTTON x8 PATIENT ROOM ELC | EC10431265 | DALI 8-way push button | 4015120431265 |

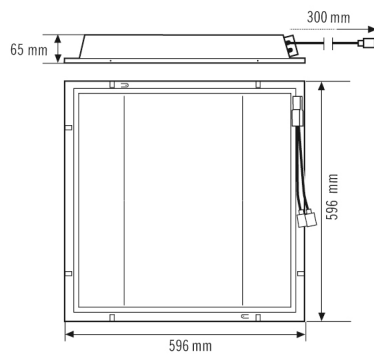
CELINE-2 PNL 600 DDP OP 3800 8TW IP20 ELC

| Item number | GTIN |
|-------------|---------------|
| EQ10132322 | 4015120132322 |

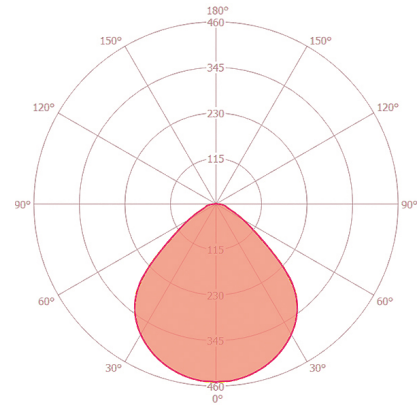
Accessories

| Product designation | Item number | Product description | GTIN |
|---|-------------|--|---------------|
| Control gear | | | |
| DRIVER-SET TW 32W 700mA RJ45 DALI-2 DT8 | EQ10127847 | Plug-and-play LED driver set DALI-2 DT8 | 4015120127847 |
| DRIVER-SET TW 32W 700mA RJ45 WIELAND GST DALI-2 DT8 | EQ10127823 | Plug-and-play LED driver set DALI-2 DT8, WIELAND GST | 4015120127823 |
| DRIVER-SET TW 32W 700mA RJ45 WAGO WINSTA DALI-2 DT8 | EQ10127830 | Plug-and-play LED driver set DALI-2 DT8, WAGO WINSTA | 4015120127830 |
| DRIVER-SET TW 38W RJ45 WAGO WINSTA DALI DT8 | EQ10127755 | Plug-and-play LED driver set DALI DT8, WAGO WINSTA | 4015120127755 |
| Mounting | | | |
| MOUNTING FRAME 600 FM WH | EQ10113086 | Flush-mounted ceiling installation frame 600 for panel lights | 4015120113086 |
| MOUNTING FRAME 600/625 SM WH | EQ10113468 | Surface-mounted ceiling installation frame 600/625 for panel lights | 4015120113468 |
| Remote control | | | |
| ESY-Pen | EP10425356 | ESY-Pen and ESY-App, two tools for every task: (1) Parameterisation, (2) remote control, (3) light measurement, (4) project management | 4015120425356 |

Dimension drawing



Light distribution



Detailed product description

- LED light with opal diffuser
- Can be used as a recessed light for ceiling systems with concealed or visible mounting rails for system dimensions 600 x 600 mm (please note any special features and restrictions stipulated by the ceiling system manufacturer)
- Light for ESYLUX Light Control for connecting via RJ45 plug to ESYLUX Smartdriver or to DALI DT8 Driver Set (not included in delivery)
- Colour temperature: 2700 K to 6500 K (Tunable White)
- Excellent light quality, suitable for screen-based work places in accordance with EN 12464-1
- Life time L80B50 at 25 °C *: 70000 h