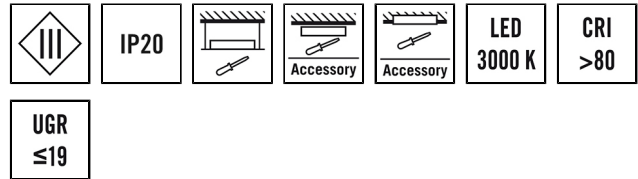


## CELINE-2 PNL 600 DDP TR 4000 830 IP20 ELC

**Item number** EQ10132339  
**GTIN** 4015120132339



### Technical data

GENERAL	
Device category	Recessed light
Product information	ELC lighting systems combine components that are matched to each other coordinated components: ELC main lighting, control unit and sensor system. Alternatively: ELC luminaires are also compatible for plug-and-play installation with suitable driver sets (accessories) for plug-and-play installation outside the ELC lighting systems (DALI, DALI-2, ON/OFF).
Remote controllable	–
Conformity	CE, EAC, RoHS, WEEE
Test symbol	ENEC 05
Product-specific information	Operation with ELC system components, alternatively with driver sets as accessories for DALI, DALI-2, ON/OFF
Warranty	5 years
ATTACHMENT	
Installation type	Insert
Installation position	Ceiling
Installation dimension	Installation length: 600 mm x Installation width: 600 mm x Installation depth: 140 mm
Type of connection	Socket
Connector	RJ45
Connectable wire cross section	0.75 – 2.5 mm <sup>2</sup>
HOUSING	
Dimensions	Length 596 mm x Width 596 mm x Height/Depth 65 mm
Weight	3390.7 g

### Product description

- LED light with transparent, microprismatic diffuser
- Can be used as a panel light for ceiling systems with concealed or visible mounting rails for system dimensions 600 x 600 mm (please note any special features and restrictions stipulated by the ceiling system manufacturer)
- Light for ESYLUX Light Control via RJ45 plug with ESYLUX Smartdriver or DALI-2 driver set or ON/OFF driver set (not included in delivery)
- Colour temperature: approx. 3000 K (warm white)

Material	Varnished steel
Protection type	IP20
Permissible ambient temperature	0 °C...+40 °C
Impact resistance	IK02
Colour	white, similar to RAL 9016
Glow wire test in accordance with IEC 60695-2-10	850 °C

### ELECTRICAL VERSION

Control system	ELC (ESYLUX Light Control)
Protection class	III
Nominal voltage	42 V DC
Power consumption	33 W
Power consumption	700 mA

### LIGHT

Diffuser	transparent
Glare suppression	DDP (micro-prismatic)
Light emission	direct
Beam angle	94 °
Unified Glare Rating	< 19
Rated output P	33 W
Luminous flux	4300 lm
Luminous efficacy	130 lm/W
Colour temperature	3000 K
Colour rendering index Ra	> 80
Colour tolerance	2 SDCM
Color Quality Scale	> 80
L70B10 lifetime at 25 °C	105000 h

## CELINE-2 PNL 600 DDP TR 4000 830 IP20 ELC

Item number	GTIN
EQ10132339	4015120132339

Life time L70B50 at 25 °C	110000 h	Life time L90B10 at 25 °C	35000 h
Life time L80B10 at 25 °C	65000 h	Life time L90B50 at 25 °C	35000 h
Life time L80B50 at 25 °C	70000 h	Photobiological safety	RG0

### System components

Product designation	Item number	Product description	GTIN
SMARTDRIVER x4 ELC	EC10430664	Light control for up to 4 lights	4015120430664
SMARTDRIVER x4 ELC KNX	EC10430671	Light control for up to 4 lights	4015120430671
SMARTDRIVER x8 ELC	EC10430763	Light control for up to 8 lights	4015120430763
SMARTDRIVER x8 ELC KNX	EC10430770	Light control for up to 8 lights	4015120430770

#### Cable

CABLE RJ45 5m WH	EC10430695	Connection cable RJ45, 5 m, white	4015120430695
CABLE RJ45 10m WH	EC10430749	Connection cable RJ45, 10 m, white	4015120430749
CABLE RJ11 10m WH	EC10431524	Connection cable RJ11, 10 m, white	4015120431524
CABLE RJ10-OPEN END 10m WH	EC10431517	Connection cable RJ10 Open end, 10 m	4015120431517
CABLE RJ10 10m WH	EC10431500	Connection cable RJ10, 10 m	4015120431500
CABLE-SET RJ45 5m x4	EC10431142	Connection cable set for SMARTDRIVER x4 series	4015120431142
CABLE-SET RJ45 10m x4	EC10431159	Connection cable set for SMARTDRIVER x4 series	4015120431159
CABLE-SET RJ45 5m x6	EC10431180	Connection cable set for SMARTDRIVER x6 series	4015120431180
CABLE-SET RJ45 10m x6	EC10431197	Connection cable set for SMARTDRIVER x6 series	4015120431197
CABLE-SET RJ45 5m x8	EC10431227	Connection cable set for SMARTDRIVER x8 series	4015120431227
CABLE-SET RJ45 10m x8	EC10431234	Connection cable set for SMARTDRIVER x8 series	4015120431234

#### Ceiling-mounted presence detector

PD-C 360i/24 ELC	EP10427619	Presence detector with 360° field of detection for ceiling mounting	4015120427619
PD-C 360i/8 ELC	EP10427602	Presence detector with 360° field of detection for ceiling mounting	4015120427602
PD 360i/8 BASIC ELC	EB10431357	Presence detector for ESYLUX Light Control with 360° field of detection for ceiling mounting	4015120431357

#### Control

SMARTDRIVER-2 IR 4C+2 x4 ELC	EC10431401	Light control for up to 4 lights	4015120431401
SMARTDRIVER-2 IR 4C+2 x8 ELC	EC10431425	Light control for up to 8 lights	4015120431425

#### Push button

PUSH BUTTON x8 ELC	EC10430923	DALI 8-way push button	4015120430923
--------------------	------------	------------------------	---------------

### Accessories

Product designation	Item number	Product description	GTIN
<b>Control gear</b>			
DRIVER-SET 30W 700mA RJ45 DALI	EQ10127854	Plug-and-play LED driver set 30 W DALI	4015120127854
DRIVER-SET 30W RJ45 WAGO WINSTA DALI	EQ10127762	Plug-and-play LED driver set 30 W DALI, WAGO WINSTA	4015120127762

## CELINE-2 PNL 600 DDP TR 4000 830 IP20 ELC

Item number	GTIN
EQ10132339	4015120132339

### Accessories

Product designation	Item number	Product description	GTIN
DRIVER-SET 30W 700mA RJ45 DALI-2	EQ10127793	Plug-and-play LED driver set 30 W DALI-2	4015120127793
DRIVER-SET 30W 700mA RJ45 WAGO WINSTA DALI-2	EQ10127809	Plug-and-play LED driver set 30 W DALI-2, WAGO WINSTA	4015120127809
DRIVER-SET 30W 700mA RJ45 WIELAND GST DALI-2	EQ10127816	Plug-and-play LED driver set 30 W DALI-2, WIELAND GST	4015120127816
DRIVER-SET 30W 700mA RJ45	EQ10127878	Plug-and-play LED driver set ON/OFF 30 W	4015120127878
DRIVER-SET 30W RJ45	EQ10127786	Plug-and-play LED driver set ON/OFF 30 W	4015120127786
DRIVER-SET 30W RJ45 WAGO WINSTA	EQ10127779	Plug-and-play LED driver set ON/OFF 30 W, WAGO WINSTA	4015120127779

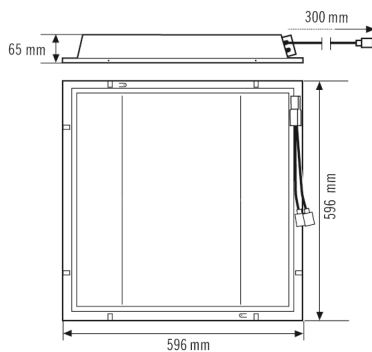
### Mounting

MOUNTING FRAME 600 FM WH	EQ10113086	Flush-mounted ceiling installation frame 600 for panel lights	4015120113086
MOUNTING FRAME 600/625 SM WH	EQ10113468	Surface-mounted ceiling installation frame 600/625 for panel lights	4015120113468

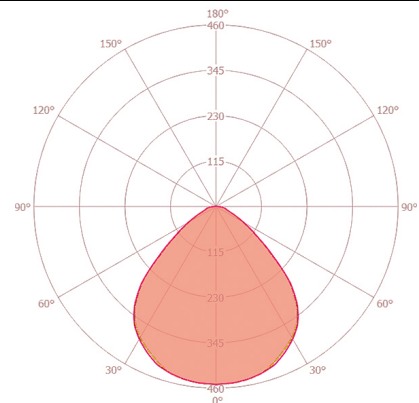
### Remote control

ESY-Pen	EP10425356	ESY-Pen and ESY-App, two tools for every task: (1) Parameterisation, (2) remote control, (3) light measurement, (4) project management	4015120425356
---------	------------	--	---------------

### Dimension drawing



### Light distribution



### Detailed product description

- LED light with prismatic (CRYSTAL) cover (diffusor)
- Can be used as a panel light in ceiling systems with concealed or visible mounting rails for system dimensions 600 mm x 600 mm
- Excellent light quality, suitable for screen-based work places in accordance with EN 12464-1 and technical drawing
- Life time L80B50 at 25 °C: 70000 h
- Operation with ELC system components, alternatively with driver sets as accessories for DALI, DALI-2, ON/OFF (not included)
- LED output 30W
- Colour temperature: 3000 K