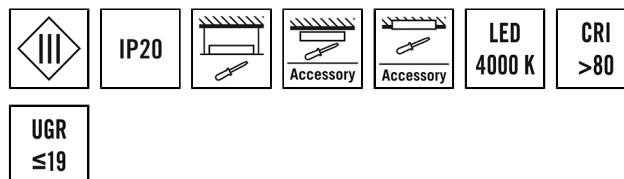


CELINE-2 PNL 600 DDP TR 4400 840 IP20 ELC

Item number EQ10132346
GTIN 4015120132346



Technical data

GENERAL	
Device category	Recessed light
Product information	ELC lighting systems combine components that are matched to each other coordinated components: ELC main lighting, control unit and sensor system. Alternatively: ELC luminaires are also compatible for plug-and-play installation with suitable driver sets (accessories) for plug-and-play installation outside the ELC lighting systems (DALI, DALI-2, ON/OFF).
Remote controllable	–
Conformity	CE, EAC, RoHS, WEEE
Product-specific information	Operation with ELC system components, alternatively with driver sets as accessories for DALI, DALI-2, ON/OFF
Warranty	5 years
ATTACHMENT	
Installation type	Insert
Installation position	Ceiling
Installation dimension	Installation length: 600 mm x Installation width: 600 mm x Installation depth: 140 mm
Type of connection	Socket
Connector	RJ45
HOUSING	
Dimensions	Length 596 mm x Width 596 mm x Height/Depth 65 mm
Weight	3341.7 g
Material	Varnished steel
Protection type	IP20

Product description

- LED light with transparent, microprismatic diffuser
- Can be used as a panel light for ceiling systems with concealed or visible mounting rails for system dimensions 600 x 600 mm (please note any special features and restrictions stipulated by the ceiling system manufacturer)
- Light for ESYLUX Light Control via RJ45 plug with ESYLUX Smartdriver or DALI-2 driver set or ON/OFF driver set (not included in delivery)
- Colour temperature: approx. 4000 K (neutral white)

Permissible ambient temperature	0 °C...+40 °C
Impact resistance	IK02
Colour	white, similar to RAL 9016
Glow wire test in accordance with IEC 60695-2-10	850 °C

ELECTRICAL VERSION

Control system	ELC (ESYLUX Light Control)
Protection class	III
Nominal voltage	42 V DC
Power consumption	33 W
Power consumption	700 mA

LIGHT

Diffuser	transparent
Glare suppression	DDP (micro-prismatic)
Light emission	direct
Beam angle	94 °
Unified Glare Rating	< 19
Rated output P	33 W
Luminous flux	4600 lm
Luminous efficacy	139 lm/W
Colour temperature	4000 K
Colour rendering index Ra	> 80
Colour tolerance	2 SDCM
Color Quality Scale	> 80
L70B10 lifetime at 25 °C	105000 h
Life time L70B50 at 25 °C	110000 h
Life time L80B10 at 25 °C	65000 h

CELINE-2 PNL 600 DDP TR 4400 840 IP20 ELC

Item number	GTIN
EQ10132346	4015120132346

Life time L80B50 at 25 °C	70000 h	Life time L90B50 at 25 °C	35000 h
Life time L90B10 at 25 °C	35000 h	Photobiological safety	RG0

System components

Product designation	Item number	Product description	GTIN
Cable			
CABLE RJ45 5m WH	EC10430695	Connection cable RJ45, 5 m, white	4015120430695
CABLE RJ45 10m WH	EC10430749	Connection cable RJ45, 10 m, white	4015120430749
CABLE RJ11 10m WH	EC10431524	Connection cable RJ11, 10 m, white	4015120431524
CABLE RJ10-OPEN END 10m WH	EC10431517	Connection cable RJ10 Open end, 10 m	4015120431517
CABLE RJ10 10m WH	EC10431500	Connection cable RJ10, 10 m	4015120431500
CABLE-SET RJ45 5m x4	EC10431142	Connection cable set for SMARTDRIVER x4 series	4015120431142
CABLE-SET RJ45 10m x4	EC10431159	Connection cable set for SMARTDRIVER x4 series	4015120431159
CABLE-SET RJ45 5m x6	EC10431180	Connection cable set for SMARTDRIVER x6 series	4015120431180
CABLE-SET RJ45 10m x6	EC10431197	Connection cable set for SMARTDRIVER x6 series	4015120431197
CABLE-SET RJ45 5m x8	EC10431227	Connection cable set for SMARTDRIVER x8 series	4015120431227
CABLE-SET RJ45 10m x8	EC10431234	Connection cable set for SMARTDRIVER x8 series	4015120431234
Ceiling-mounted presence detector			
PD-C 360i/24 ELC	EP10427619	Presence detector with 360° field of detection for ceiling mounting	4015120427619
PD-C 360i/8 ELC	EP10427602	Presence detector with 360° field of detection for ceiling mounting	4015120427602
PD 360i/8 BASIC ELC	EB10431357	Presence detector for ESYLUX Light Control with 360° field of detection for ceiling mounting	4015120431357
Control			
SMARTDRIVER-2 IR 4C+2 x4 ELC	EC10431401	Light control for up to 4 lights	4015120431401
SMARTDRIVER-2 IR 4C+2 x8 ELC	EC10431425	Light control for up to 8 lights	4015120431425
SMARTDRIVER x4 ELC	EC10430664	Light control for up to 4 lights	4015120430664
SMARTDRIVER x4 ELC KNX	EC10430671	Light control for up to 4 lights	4015120430671
SMARTDRIVER x8 ELC	EC10430763	Light control for up to 8 lights	4015120430763
SMARTDRIVER x8 ELC KNX	EC10430770	Light control for up to 8 lights	4015120430770
Push button			
PUSH BUTTON x8 ELC	EC10430923	DALI 8-way push button	4015120430923

Accessories

Product designation	Item number	Product description	GTIN
Control gear			
DRIVER-SET 30W 700mA RJ45 DALI	EQ10127854	30 W DALI plug-and-play LED driver set	4015120127854
DRIVER-SET 30W RJ45 WAGO WINSTA DALI	EQ10127762	Plug-and-play LED driver set 30 W DALI, WAGO WINSTA	4015120127762
DRIVER SET 30W RJ45	EQ10127786	ON/OFF LED driver set	4015120127786
DRIVER SET 30W RJ45 WAGO WINSTA	EQ10127779	Plug-and-play LED driver set ON/OFF 30 W, WAGO WINSTA	4015120127779

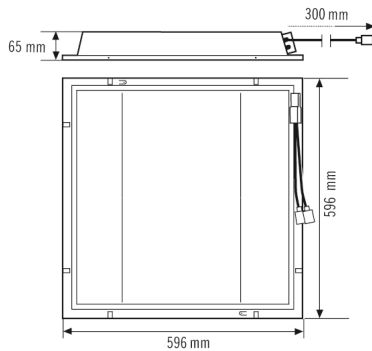
CELINE-2 PNL 600 DDP TR 4400 840 IP20 ELC

Item number	GTIN
EQ10132346	4015120132346

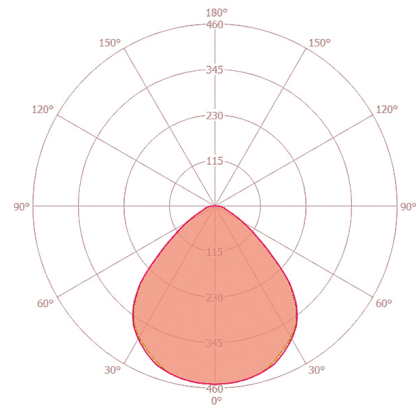
Accessories

Product designation	Item number	Product description	GTIN
Mounting			
MOUNTING FRAME 600 SM WH	EQ10113031	Surface-mounted ceiling installation frame 600 for panel lights	4015120113031
MOUNTING FRAME 600 FM WH	EQ10113086	Flush-mounted ceiling installation frame 600 for panel lights	4015120113086
MOUNTING FRAME 600/625 SM WH	EQ10113468	Surface-mounted ceiling installation frame 600/625 for panel lights	4015120113468
Remote control			
ESY-Pen	EP10425356	ESY-Pen and ESY-App, two tools for every task: (1) Parameterisation, (2) remote control, (3) light measurement, (4) project management	4015120425356

Dimension drawing



Light distribution



Detailed product description

- LED light with prismatic (CRYSTAL) cover (diffusor)
- Can be used as a panel light in ceiling systems with concealed or visible mounting rails for system dimensions 600 mm x 600 mm
- Excellent light quality, suitable for screen-based work places in accordance with EN 12464-1 and technical drawing
- Life time L80B50 at 25 °C: 70000 h
- Operation with ELC system components, alternatively with driver sets as accessories for DALI, DALI-2, ON/OFF (not included)
- LED output 30W
- Colour temperature: 4000 K